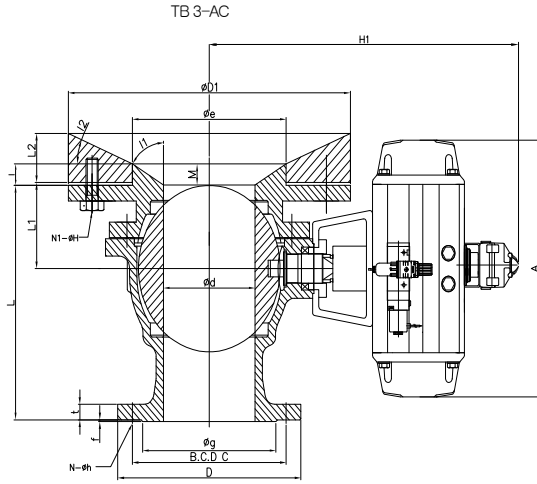


TANK BOTTOM BALL VALVE (FLANGE)

KSV 엔지니어링

KOREA SPECIAL VALVE ENG

경제적인 밸브 선정을 위해 최선을 다하겠습니다



STANDARD SPECIFICATIONS

Model No	KSTB00011-C0000000 (Model Selection Guide Reference)	
Port	Full Port	
Fluids	Water, Steam, Air, Oil, gas, Pulp & Slurry, Chemical etc..	
Valve Size	2" (50A) ~ 8" (200A)	
Rating & Classes	Jis 10K. ANSI 150Lb	
Connections	flanged	
Materials	Body	Carbon Steel. Stainless Steel(304,316). Alloy Etc.,,
	Ball	Stainless Steel(304,316). Alloy Etc.,,
	Seat	PTFE, RTFE, PEEK, Metal
Temperatures	Soft Seat (-29 to +250), Metal Seat (-50 to +450)	
Seat Leakages	Soft Seat (No Leakage), Metal Seat (Class IV, V, VI)	
Actuator	Pneumatic. Electric, Manual	
Options	* 2-Stage Action, Handwheel, Other,	

DIMENSIONES

*자세한 내용을 확인 하시려면 첨부도면을 요청하기 바랍니다

*아래 치수는 참고치수로 실물과 차이가 있을수 있습니다

VALVE SIZE	d	L	TB 3													TB 3-AC			FLANGE										
			L1	L2	H	D1	e	C1	N1	h1	t1	l	m	l ₁	l ₂	Handle	H1	B	S	Actuator	D	g	C	n	h	t	f	STANDARD	
1 ^B 25A	25	109	33	33.5	115	140	48	105	4	15	15	9	20.5	30°	60°	150	221	75	PT 1/4	H200	125	67	90	4	19	14	18	1	JIS 10K
																					108	51	79.2	4	16	11.2	14.2	1.5	ANSI 150
1 1/2 ^B 40A	38	125	35	38.3	148	155	60	120	4	17	15	13	16	30°	60°	200	254	75	PT 1/4	H200	140	81	105	4	19	16	20	2	JIS 10K
																					127	73	98.6	4	16	14.2	17.5	1.5	ANSI 150
2 ^B 50A	51	133	40	38.5	160	175	76	140	4	19	18	12	10	30°	60°	250	264	75	PT 1/4	H200	155	96	120	4	19	16	20	2	JIS 10K
																					152	92	120.7	4	19	15.7	19.1	1.5	ANSI 150
2 1/2 ^B 65A	64	153	51	39.6	184	210	114	175	6	17	18	14	12.5	60°	60°	300	329	103	PT 1/4	H275	175	116	140	4	19	18	22	2	JIS 10K
																					178	105	139.7	4	19	17.5	23.9	1.5	ANSI 150
3 ^B 80A	76	174	63	41.6	213	250	140	210	6	21	18	12	12.5	60°	60°	350	358	103	PT 1/4	H275	185	126	150	8	19	18	22	2	JIS 10K
																					191	127	152.4	4	19	19.1	23.9	1.5	ANSI 150
4 ^B 100A	102	186	69	49.8	245	280	166	240	6	23	18	19	7	60°	60°	400	420	119	PT 1/4	H375	210	151	175	8	19	18	24	2	JIS 10K
																					229	157	190.5	8	19	23.9	1.5	ANSI 150	
5 ^B 125A	127	245	85	43.5	344	330	217	290	8	23	21	25	7	70°	70°	700	499	131	PT 1/4	H500	250	182	210	8	23	20	24	2	JIS 10K
																					254	185.7	215.9	8	23	24	1.6	ANSI 150	
6 ^B 150A	152	302	105	46.8	364	400	269	355	10	23	26	25	7	70°	70°	1000	519	131	PT 1/4	H500	280	212	240	8	23	22	26	2	JIS 10K
																					279	215.9	241.3	8	23	25.5	1.6	ANSI 150	