

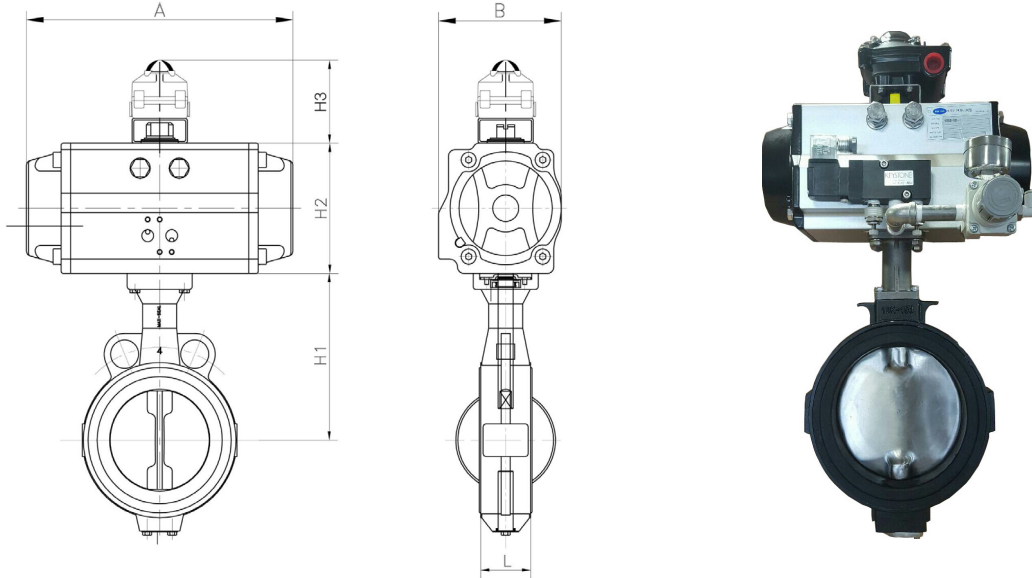
GENERAL SERVICE BUTTERFLY VALVE

KSV 엔지니어링

KSBT

KOREA SPECIAL VALVE ENG

경제적인 밸브 선정을 위해 최선을 다하겠습니다



STANDARD SPECIFICATIONS

Model No	KSBT00010-C0000000 (Model Selection Guide Reference)	
Series	Full Port	
Fluids	Water, Gas(Air), Oil, Cemical Process, etc.	
Valve Size	2"(50A)~40"(1000A), Other,	
Max.Pressure	JIS 10K, ANSI 150Lb, DIN PN16, Other,	
Connections	Flanged, Welded, Other,	
Materials	Body	Carbon Steel, Stainless Steel, Alloy Steel, Other,
	*Pllug	Stainless Steel, Alloy Steel, Other
	Seat	EPDM, NBR, FPM, Other
Temperatures	Soft Seat(-45°C~180°C)	
Seat Leakages	* ANSI B16.104, No Leakage	
Operators	* Pneumatic, Electric, Manual, Other,	
Options	* INFLATEABLE SEATED	

DIMENSIONES

*아래 치수는 참고치수로 실물과 차이가 있을수 있습니다

SIZE		L 10K(150Lb)	H1	H2	A	B	H3	ACTUATOR
MM	INCH							
50A	2"	43	130	87	163	85	APL210(123)	63DA
65A	2.5"	46	137	87	202	85	APL310(177)	66DA
80A	3"	46	157	104	210	96	APL410(204)	75DA
100A	4"	52	171	116	247	108	APL510(151)	88DA
125A	5"	56	184	128	268	123		100DA
150A	6"	56	203	146	314	141		115DA
200A	8"	60	238	159	347	151		125DA
250A	10"	68	270	179	414	172		145DA
300A	12"	78	310	198	467	190		160DA
350A	14"	78	325	221	497	206		180DA
400A	16"	102	375	247	555	227		200DA
450A	18"	114	400	256	541	286		211DA
500A	20"	127	432	256	644	286		212DA