

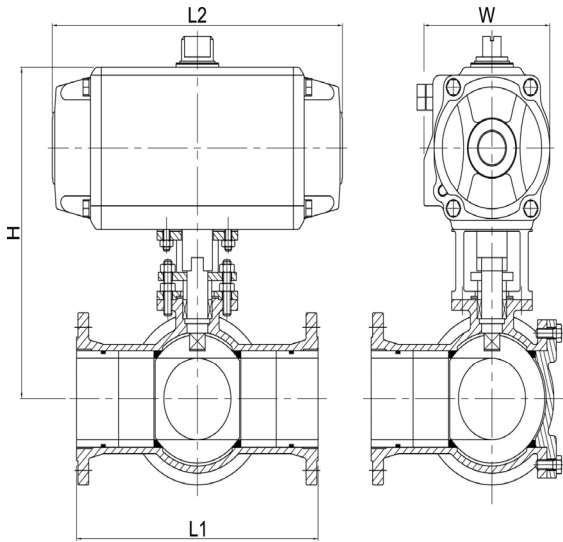
3-WAY T-TYPE BALL VALVE (FLANGED)

KSV 엔지니어링

KS3B-1

KOREA SPECIAL VALVE ENG

경제적인 밸브 선정을 위해 최선을 다하겠습니다



STANDARD SPECIFICATIONS

| | | | |
|-----------------|----------------------------------------------------------------|-----------------------------------------------------|-------|
| Model No | KS2V00010-C0000000 (Model Selection Guide Reference) | | |
| Series | Full Port | | |
| Fluids | Water, Steam, Gas(Air), Oil, Cemical Process, etc. | | |
| Valve Size | 1/2"(15A)~8"(200A), Other, | | |
| Max.Pressure | JIS 10K/20K, ANSI 150Lb/300Lb, DIN PN16~PN25, Other, | | |
| Connections | Flanged, Welded, Other, | | |
| Materials | Body | Carbon Steel, Stainless Steel, Alloy Steel, Other, | |
| | *Pllug | Stainless Steel, Alloy Steel, A276 304/316HF,(A351) | Other |
| | Seat | PTFE, RTFE, TFM1600, PEEK, A276 304/316HF, | Other |
| Temperatures | Soft Seat(-45°C~180°C) | Metal Seat(-45°C~450°C) | Other |
| Seat Leakages | * ANSI B16.104, No Leakage | * ANSI B16.104(IV), | Other |
| Operators | * Pneumatic, Electric, Manual, Other, | | |
| Options | * V-port(15°, 30°, 60°), Steam jacket, Fire safe design, Other | | |

DIMENSIONES (Standard : Soft Seat, Double Acting Actuator, JIS 10K

*아래 치수는 참고치수로 실물과 차이가 있을수 있습니다

| SIZE | | L1 | L2 | H | W | H3 | ACTUATOR |
|------|--------|------------|------------|-----|-----|-------------|----------|
| MM | INCH | 10K(150Lb) | 10K(150Lb) | | | | |
| 15A | 1/2" | 180 | 144 | 205 | 72 | APL210(123) | KS50DA |
| 20A | 3/4" | 190 | 163 | 220 | 85 | APL310(177) | KS63DA |
| 25A | 1" | 200 | 202 | 230 | 85 | APL410(204) | KS66DA |
| 40A | 1-1/2" | 240 | 210 | 265 | 96 | | KS75DA |
| 50A | 2" | 260 | 247 | 280 | 108 | | KS88DA |
| 65A | 2-1/2" | 320 | 268 | 300 | 123 | | KS100DA |
| 80A | 3" | 360 | 316 | 340 | 141 | | KS115DA |
| 100A | 4" | 430 | 414 | 365 | 172 | | KS145DA |
| 125A | 5" | 520 | 467 | 480 | 190 | | KS160DA |
| 150A | 6" | 560 | 555 | 510 | 206 | | KS200DA |
| 200A | 8" | 660 | 628 | 700 | 236 | | KS211DA |